

QUICK START MANUAL

External Mounting Kit KKRPM01A

Application:

In instances when it is necessary to install the Online Controller outside the indoor unit, it can be easily fitted on the wall or hidden in the ceiling.

Basic features:

- No external power required
- Maximum length of cable between IU and Online Controller:
- 20 m (UTP/FTP 24 AWG – 5 wires only)
- 40 m (UTP/FTP 24 AWG – 8 wires full)
- 150 m (NYY 5x1,5)

Ports:

- The amplifier S21 (with fixed cable) for connection with indoor unit using 5 pin flat connector
- Second amplifier for direct connection with Online Controller using PCB connector
- Both amplifiers are interconnected with the cable using 5-pin screw connectors



Figure 1

Installation:

This device may be installed only by an authorised person for the installation and service of Daikin A/C units. Please follow the safety instructions in the A/C unit manual.

Amplifier is connected to the Online Controller using PCB connector. Both PCB's are placed into the plastic enclosure. It can be mounted somewhere on the wall. The amplifier S21 with short cable is placed inside the indoor unit and connected to the S21 connector on the PCB. Connection between amplifiers can be made by various types of cables – see examples and maximum lengths in Basic features.

Packing includes:

- RS232 amplifier S21 (cable 50 cm)
- RS232 amplifier
- Plastic enclosure with screws
- Quick start manual

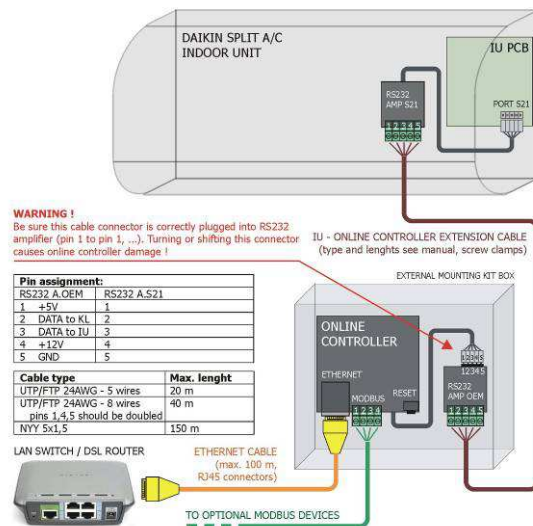


Figure 2



CONTINEO, s.r.o. and COLTBURG, s.r.o. declare that the product KKRPM01A is in identity with requirement and other clauses of directive 2006/95/EC and 2004/108/EC.



Directive 2002/96/EC WEEE is a EU legislative standard, which the main purpose is, as a first priority, the prevention of waste electrical and electronic equipment (WEEE), and in addition, the reuse, recycling and other forms of recovery of such wastes so as to reduce the disposal of waste. Do not put this product into common household waste. Return it to an appropriate centre for electric and electronic waste.