

Wine Master®

le temps d'être différent



INSTALLATION GUIDE USER GUIDE
Please keep

Wine SP 100/ Wine SP 100-8

INDICATIONS PLACED ON THE NAMEPLATE FOUND ON THE APPLIANCE

Model :

Serial number :

Purchase date :

** IMPORTANT: IT IS RECOMMENDED TO NOTE THE SERIAL NUMBER AND TO WRITE IT DOWN IN THE BOX ABOVE. IT WILL BE NECESSARY FOR ORDERING SPARE PARTS*

Réf :

03/2016

CONTENTS

1	CHARACTERISTICS	4
1.1	DIMENSIONS :	4
2	LAYOUT OF PREMISES	5
2.1	INDOOR UNIT	5
2.2	OUTSIDE UNIT	5
2.3	THE CELLAR	5
2.3.1	<i>INSULATION</i>	5
2.3.2	<i>CHOICE OF INSULATION</i>	6
2.3.3	<i>WALL AND CEILING INSULATION</i>	6
2.3.4	<i>FLOOR INSULATION</i>	6
2.3.5	<i>THE DOOR</i>	7
2.3.6	<i>INSULATION OF OTHER ITEMS</i>	7
3	INSTALLING THE OUTSIDE UNIT	7
	Make sure you have chosen the best place for fitting the outside unit :	7
3.1	DRILLING THE WALL	7
3.2	FLEXIBLE DISMOUNTING	7
3.2.1	<i>THE COVER</i>	7
3.2.2	<i>THE FIXING BRACKETS</i>	8
3.2.3	<i>THE REFRIGERANT CONNECTIONS</i>	8
3.2.4	<i>ELECTRICAL CONNECTOR</i>	9
3.3	INSTALLATION OF THE OUTSIDE UNIT	9
3.3.1	<i>INSTALLATION OF THE WALL MOUNTING BRACKETS</i>	9
3.3.2	<i>ATTACHING THE OUTSIDE UNIT</i>	9
4	INSTALLATION OF THE INSIDE UNIT	11
4.1	RE-CONNECTION OF THE FLEXIBLE	11
4.2	INSTALLING THE CONDENSING WATER FLUE	11
5	USING THE WINEMASTER SP100	12
5.1	CONNECTING THE AIR-CONDITIONER	12
5.2	CONTROL PANEL	12
5.3	STANDBY MODE	13
5.4	AUTOMATIC DEFROST	13
6	SERVICING THE WINEMASTER AIR-CONDITIONER	13
6.1	CHANGING THE FILTER	14
6.2	INFORMATION ABOUT AIRCONDITIONNER FUNCTIONNING	
7	WARRANTY	15
7.1	YEARS CONTRACTUAL WARRANTY	15
7.2	TERMS OF APPLICATION OF THE GUARANTEE	15
7.3	EXCLUSIONS AND LIMITS OF GUARANTEE	15

FROM VINEYARD TO WINE

In former times, good french cellars were built to maintain a temperature not exceeding 14 to 16°C in all seasons.

Today, this is rarely the case.

Nevertheless, a cellar worthy of the name must be protected against wide variations in temperature, be as damp as necessary and ventilated, dark and free of vibration.

This is why, for more than fifteen years, we have used the expertise of specialists and enthusiastic amateurs to design, develop, test and produce thousands of air-conditioners destined to help in the storage and ageing of wine.

If you follow our advice and respect our recommendations Winemaster will provide the optimal ageing conditions for your treasured wine collection.

You have to read the installation and operating guide for your WINEMASTER cellar air-conditioner.

Contact us if you have any questions :

So....even if there ay be long years to wait before the wine reaches perfection, the great day will come when you face the delicate job of uncorking.

Hold the bottle carefully – do not remove the capsule on a level with the mouth – use a good quality tool or lever – remove the cork without shaking the bottle and examine the “ mirror “..

But that's another story.....

SERVICE CLIENTS WINEMASTER
Phone 33 3 89 37 75 15/Fax 33 3 89 37 75 89
E-MAIL : contact@winemaster.fr

ATTENTION : *Wait for 24 hours before switching on the air-conditioner.*

1 CHARACTERISTICS

Weight	45 kg (interior) – 15 kg (outside)
Dimensions	1005 mm x 395 mm x 480 (int) 465 mm 360 mm 480mm
Setting the temperature	Preset to 12°C, adjustable between 12 and 25°C*
Maximum outdoor temperature	35°C**
Cooling power	2500W at 12°C**
Heating power	1000W
Electricity supply	230-240V 50Hz with earth connection (supplied with 3m cable)
Electrical power	1250W
Gas	R407C without CFC
Refrigerant gas	1000g
Length of refrigerant flexible connection	4.50 m or 8 m

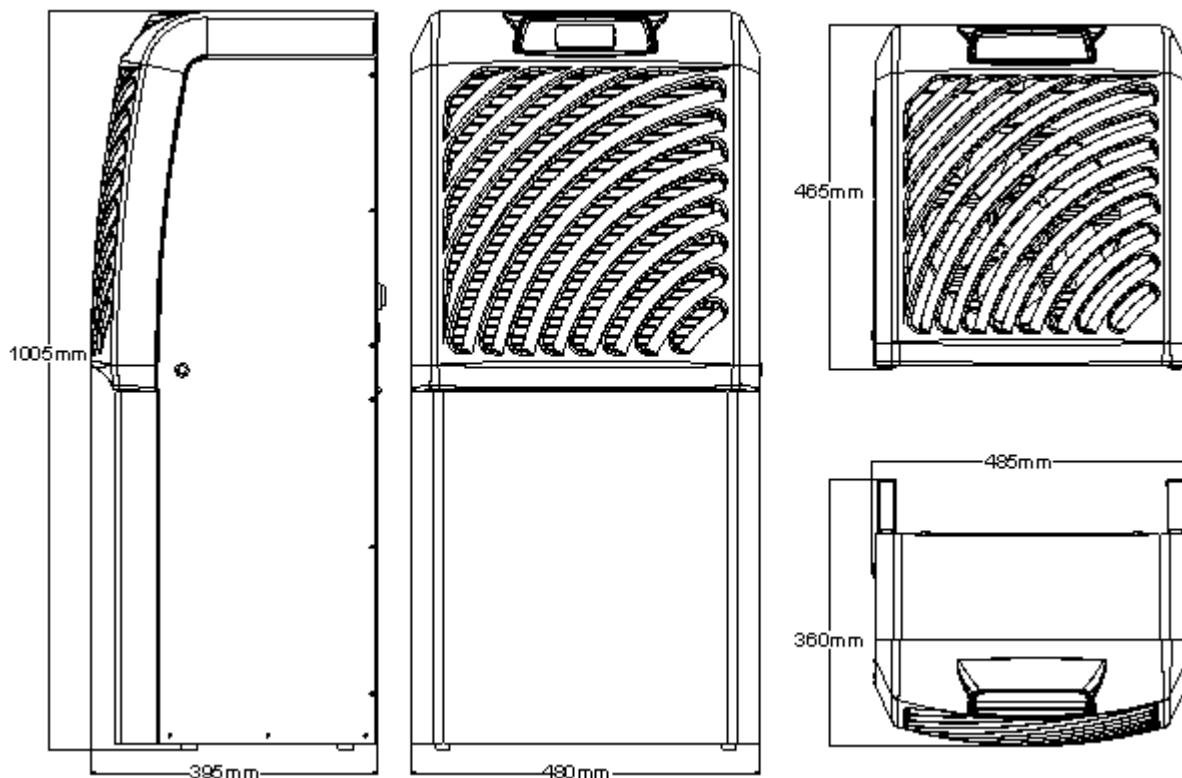
The circuit breaker must be at least 16 Amps.

*** The insulation quality and thickness has to be in accordance with the volume of the cellar and the set temperature.**

**** The cooling performance is dependant from the outside temperature. Therefore, the set temperature of 12°C for the cellar cannot be maintained if the outside temperature of the cellar is maintained at 35°C.**

If the thermal safety functions to often, there is a risk for the condensator and starter to be damaged. In all the cases, it must be avoided that the outside temperature remains at 35°C, this high temperature should be limited to the summer period.

1.1 DIMENSIONS :



2 LAYOUT OF PREMISES

The air-conditioner is composed by two separate units which are connected by an electric and refrigerant flexible cable of 4.55 mts and 8 mts for the SP100-8 models. The distance between the two units cannot be more than 4.5 mts or 8 mts according the models

2.1 INDOOR UNIT

The indoor unit is entirely installad inside the cellar directly on the floor or fixed on the wall with adapted special brackets.

2.2 OUTSIDE UNIT

The outside unit must be fixed on an outside wall in an area free from obstruction which may cause irregular air distribution and/or return in front and back of the unit.

2.3 THE CELLAR

2.3.1 INSULATION

Insulation of the 4 walls, the door, the ceiling and the floor is essential for the Winemaster to work properly. Adequate insulation helps to obtain the stability of the temperature and the humidity.

The board on the next page (choice of insulation) can be used to determine the type and the thickness of insulation needed according to the internal volume of the cellar and a cellar temperature of 12°C.

Insulation continuity :

Insulation components must be assembled preferably by interlocking panels or glueing the panels together, to ensure perfect continuity of insulation.

This is very important : it prevents heat and humidity entering from the outside which would counter the effects of regulation.

IMPORTANT

The validity of the **WINEMASTER guarantee depends on the values in the "Choice of insulation"** table being strictly respected, for all the cellar walls, including floor and ceiling + door, as well as perfect continuity of insulation and installation in accordance to the user guide.

2.3.2 CHOICE OF INSULATION

CELLAR VOLUME (m ³)	MINIMUM THICKNESS OF INSULATION (mm) for 12°C cellar temperature		
	EXPANDED POLYSTYRENE $\lambda=0,044 \text{ W/m}^\circ\text{C}$	EXTRUDED POLYSTYRENE $\lambda=0,030 \text{ W/m}^\circ\text{C}$	POLYURETHANE FOAM $\lambda=0,025 \text{ W/m}^\circ\text{C}$
14	60	40	30
16	60	40	40
18	70	50	40
20	70	50	40
22	70	50	40
24	80	60	50
26	80	60	50
28	90	60	50
30	90	60	50
32	100	70	60
34	100	70	60
36	100	70	60
38	110	80	60
40	110	80	70
42	120	80	70
44	120	80	70
46	120	90	70
48	130	90	70
50	130	90	80
60	150	100	90
70	170	120	100
80	190	130	110
90	200	140	120
100	220	150	130

2.3.3 WALL AND CEILING INSULATION

The manufacturers propose their insulation panels in several forms :

- **insulation alone**

- **"complexes"** : the insulation is lined with a facing (plaster, mineral)
- **"sandwiches"** : the insulation is lined on each side with a wooden or plaster panel

The panel facing is important : it protects the insulation from shocks and guarantees long life.

Do not use mineral fibre insulation (glasswool, stonewool...) because it stores humidity and loose its insulation capacity.

Protection against rodents

Some insulating materials are damaged by rodents (mice, rats...). It is therefore essential to make sure that the walls of the cellar do not contain holes which would allow rodents access to the insulation.

This insulation must be lined, on the inner surface of the cellar, with a protective facing.

Polyurethane insulation, because of its chemical composition, is not attacked by rodents.

2.3.4 FLOOR INSULATION

The cellar floor must be able to support shelves and the wine stored on them.

You should therefore choose an insulating material with adequate compression resistance for this part.

Manufacturers recommend appropriate insulation or materials designed specifically for floor insulation, in their documentation.

Puncture resistance (feet of shelves in particular) is provided :

- in using *"complex" insulation panels lined, on the upper surface, with a strong panel .*
- by facing the insulation with a panel of chipboard (approx. 15 mm thick), or any other suitable covering plaster and slab, for example

2.3.5 THE DOOR

It is part of the continuity of insulation.

There are two possible solutions :

- to insulate the existing door using the same type as insulation as was used for the cellar walls. Insert a seal such a foam, between the door panel and the frame all around the edge.
- Use a WINEMASTER isothermal door, lined with polyurethane foam. It includes a seal around its periphery, with a magnetic closure..

2.3.6 INSULATION OF OTHER ITEMS

A fridge or another appliance producing heat must not be placed inside the cellar. For example, any hot water pipe going through the cellar must also be insulated.

3 INSTALLING THE OUTSIDE UNIT



Before any intervention with interior of the unit, the electric cable must be disconnected.

Make sure you have chosen the best place for fitting the outside unit :

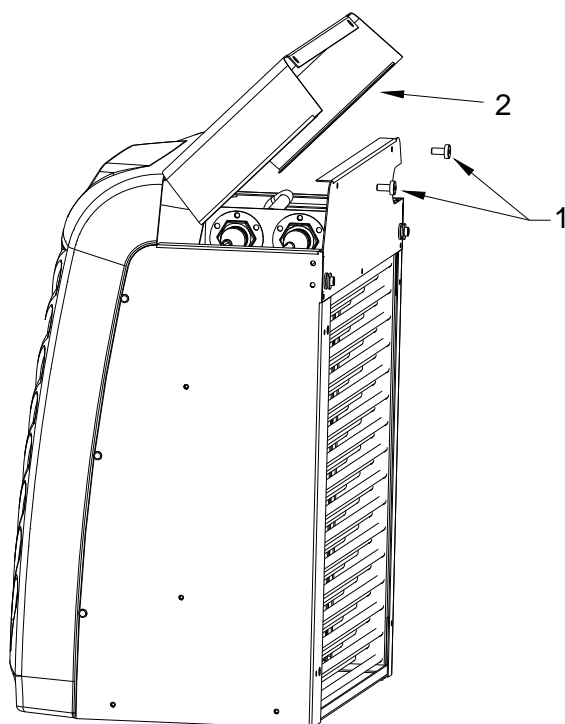
- Chose the best place in order that the length of the flexible connection will be shorter as possible.
- There should not be any obstacle in front of the ventilation grid and the back of the unit, to facilitate air flow
- The wall structure should be strong enough to carry the unit weight and avoid deformations rupture, or vibration during operation

3.1 DRILLING THE WALL

Drill one hole of diametre 70mm to allow the connection of the flexible refrigerant tube to the unit.

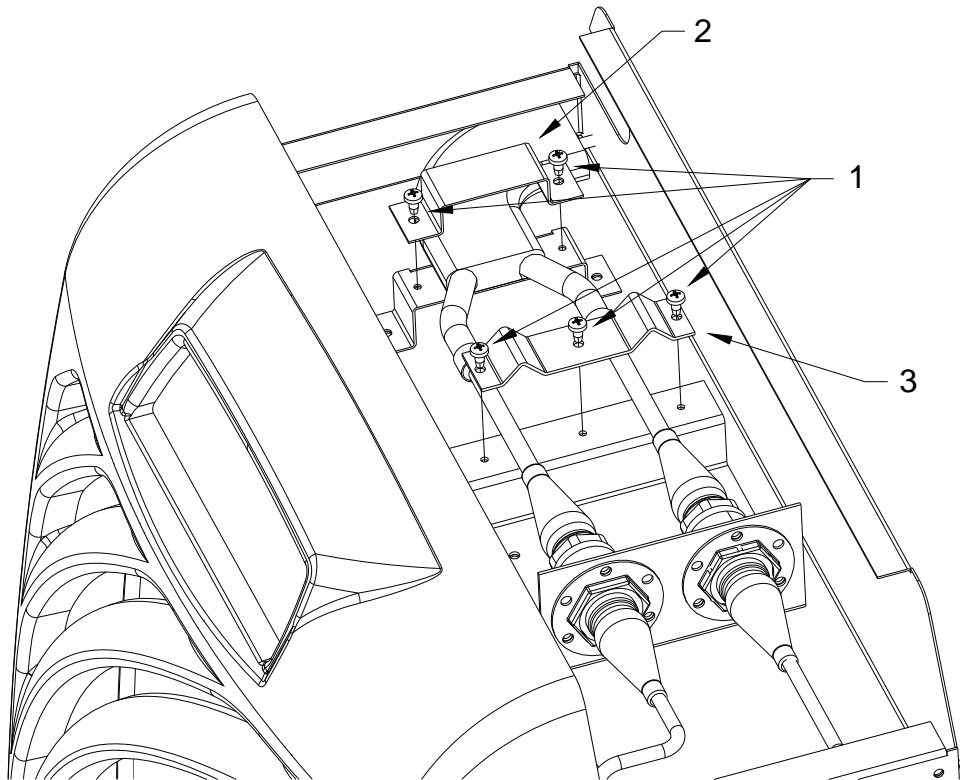
3.2 FLEXIBLE DISMOUNTING

3.2.1 THE COVER



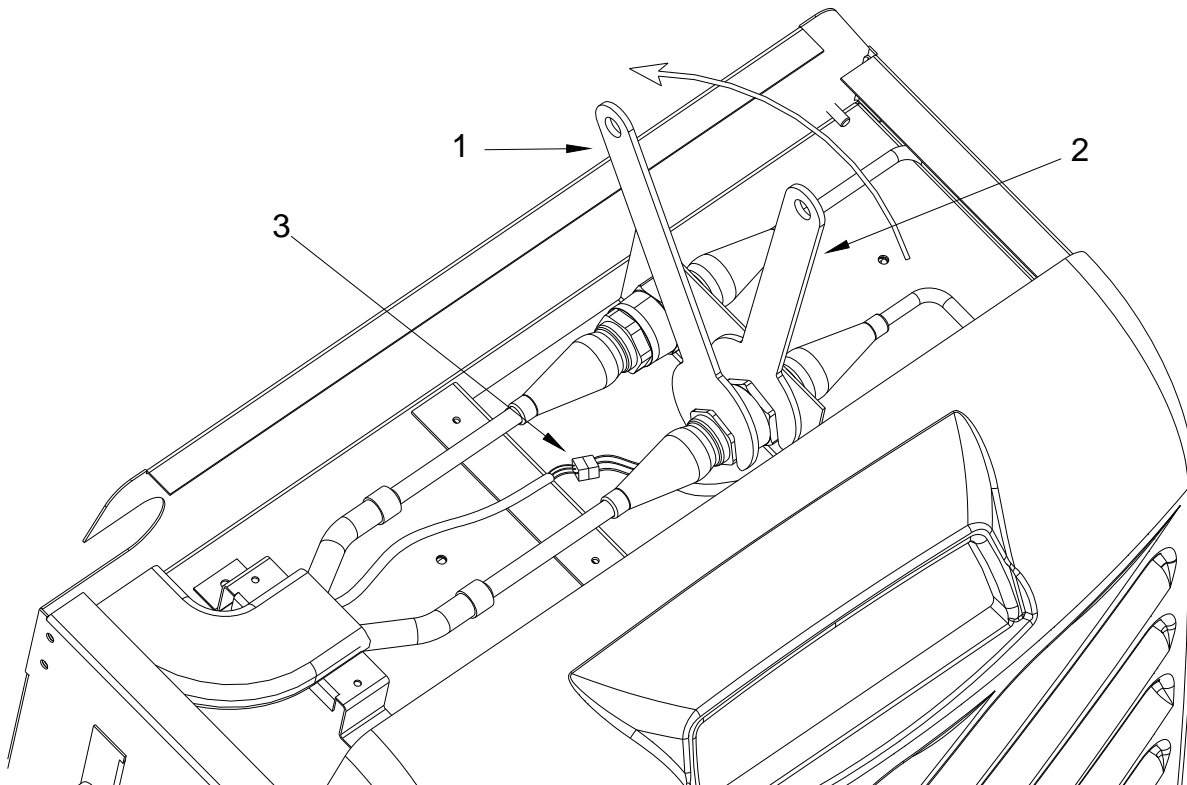
- Unscrew the two black plastic screws **1**.
- Open the cover like shown on the picture **2**.

3.2.2 THE FIXING BRACKETS



- Unscrew the 5 screws **1** with a screwdriver PZ2 for unmounting the brackets **2** et **3**.

3.2.3 THE REFRIGERANT CONNECTIONS



- Two wrenches **1** & **2** are supplied with the unit.
- Maintain the connection with the wrenche **1** and unscre with the wrenche **2**.

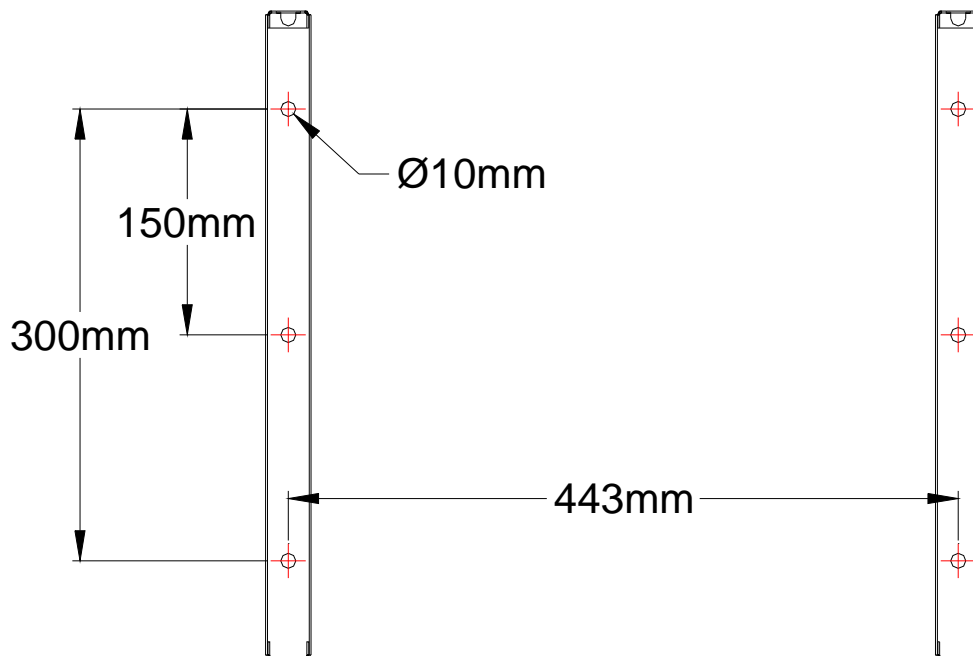
Attention : don't stop unscrewing while gas leaks until the 2 elements are separated. The gas leak will stop then ! Before and during remounting operations, protect the end of the flexible connection in order to avoid dust goes out.

3.2.4 ELECTRICAL CONNECTOR

The ventilator of the outside unit is connected by an electric cable.
Disconnect the connector **3**.

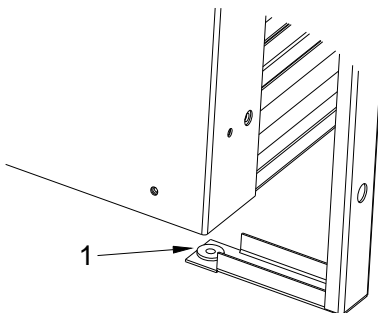
3.3 INSTALLATION OF THE OUTSIDE UNIT

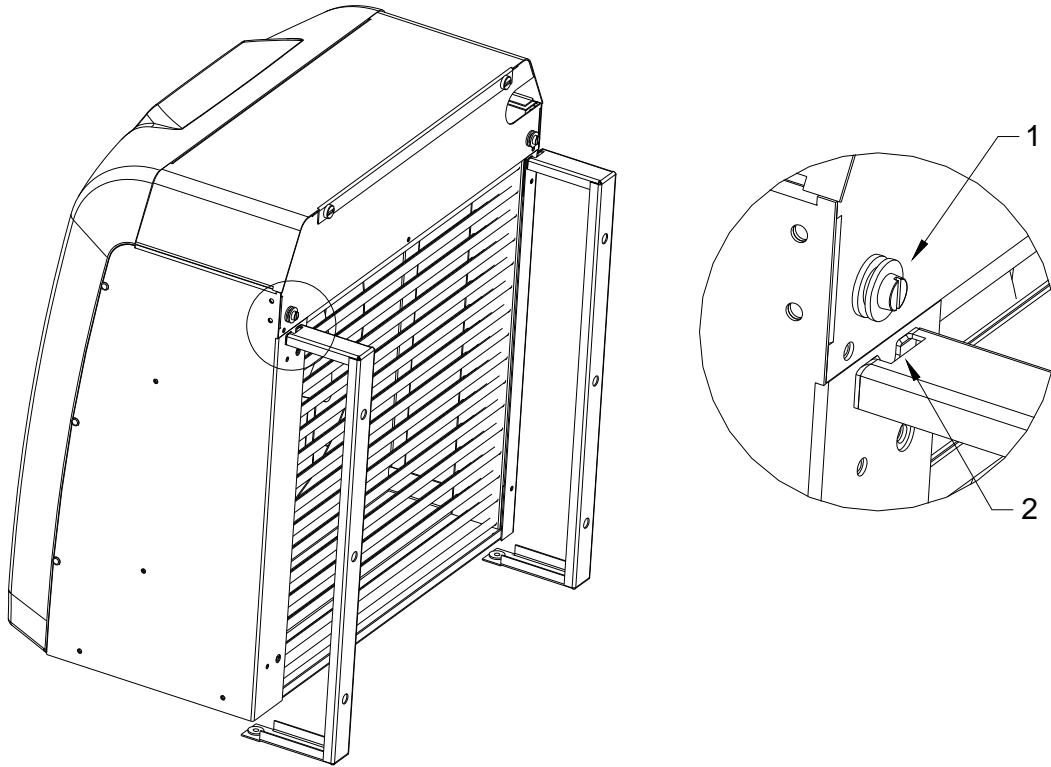
3.3.1 INSTALLATION OF THE WALL MOUNTING BRACKETS



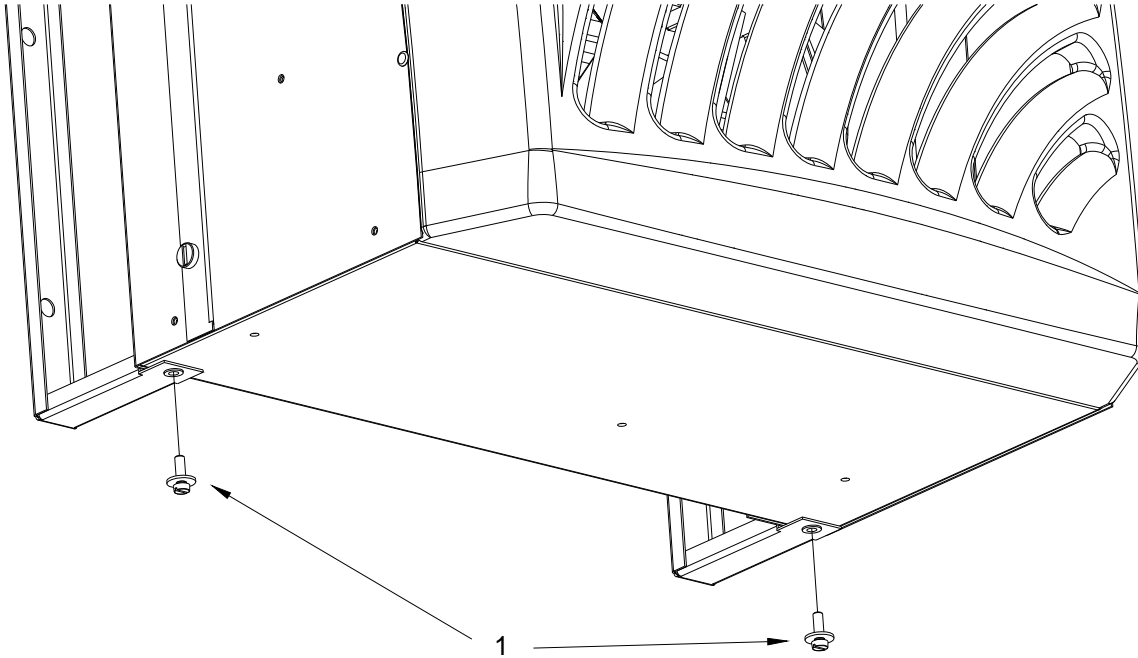
3.3.2 ATTACHING THE OUTSIDE UNIT

Before attaching the outside unit, position two nylon washers **1** in the brackets holes.





- Position the outside unit so that the screws and washers **1** are engaged in the slot **2**



- To finish, screw the kit screws and washer **1** under the unit.

4 INSTALLATION OF THE INSIDE UNIT

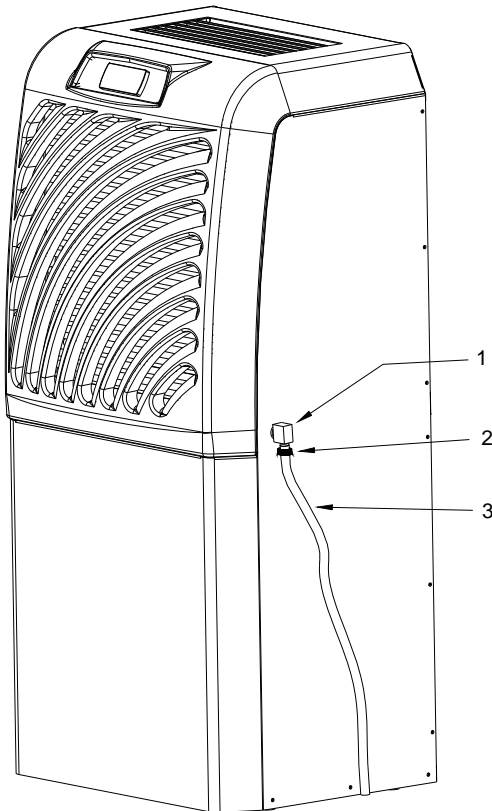
- Put the unit on the floor or on his horizontal support,
- It shouldn't be any obstacle in front of the ventilation grid to facilitate the air flow
- The support or floor must be level and not transmit vibrations.
-

4.1 RE-CONNECTION OF THE FLEXIBLE

Pass the connecting flexible through the hole in the wall and re-connect the refrigerant fittings with the wrenches and the electrical connecting wires to the outside unit. The reconnection can be done to any pipe.

Attention : open the ends of the flexible connection when you pass them through the wall in order to keep the end clean for screwing again.

4.2 INSTALLING THE CONDENSING WATER FLUE



- Screw the plastic bend **1** supplied with the unit
- Slide the PVC tubing **2**
- Screw up the ring clamp **3**
- Connect the free end of the PVC tubing to a wastewater point or a retention tank (mini content 25 litres).
Avoid "counter slopes " or « siphons »



If necessary seal the threads with Teflon

5 USING THE WINEMASTER SP100



The Winemaster SP100 must be installed by complying with the national rules of electric installation

5.1 CONNECTING THE AIR-CONDITIONER

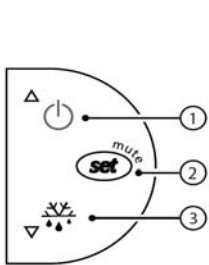
Connect the male plug to a 230/16A power socket. Switch on the air-conditioner by pressing the green button on the back of the inside unit.



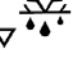

The fan on the cellar side comes on immediately.

The compressor may not come on until 2 minutes later if the temperature in the cellar is higher than the set temperature. If the cellar temperature matches the thermostat setting, the compressor will not come on.

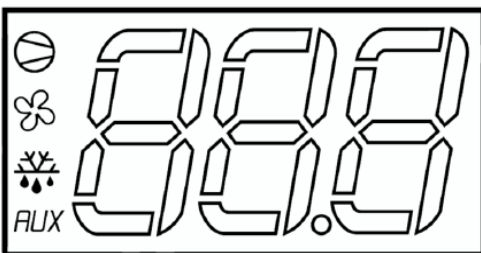
5.2 CONTROL PANEL





The setting of the targeted temperature is made on the thermostat :



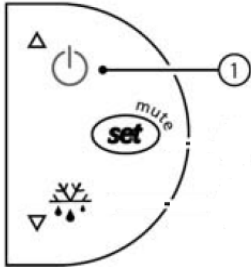
- Press button  one second until the targeted temperature is blinking.
- Use button  to increase the temperature
- Use button  to lower the temperature.
- When the right temperature is set, press again on button  to confirm it.

Explanations of the main display symbols:



- Red light  = cold mode engaged (compressor working)
- Red light  = Not used
- Red light  = defrost
- Red light  = heat mode engaged (resistance)

5.3 STANDBY MODE



- Standby mode : maintain a 3 seconds pressure on button 1. The compressor stops.
- The thermostat indicates « OFF » and also the cellar temperature.
- To come back, maintain again a 3 seconds pressure on button 1.
- The thermostat indicates « ON » during 1 second.

5.4 AUTOMATIC DEFROST

The program of the thermostat from model WINEMASTER SP100 will run an automatic defrost time several times a day. During this position, the compressor stops and only the fan in the cellar is functioning.

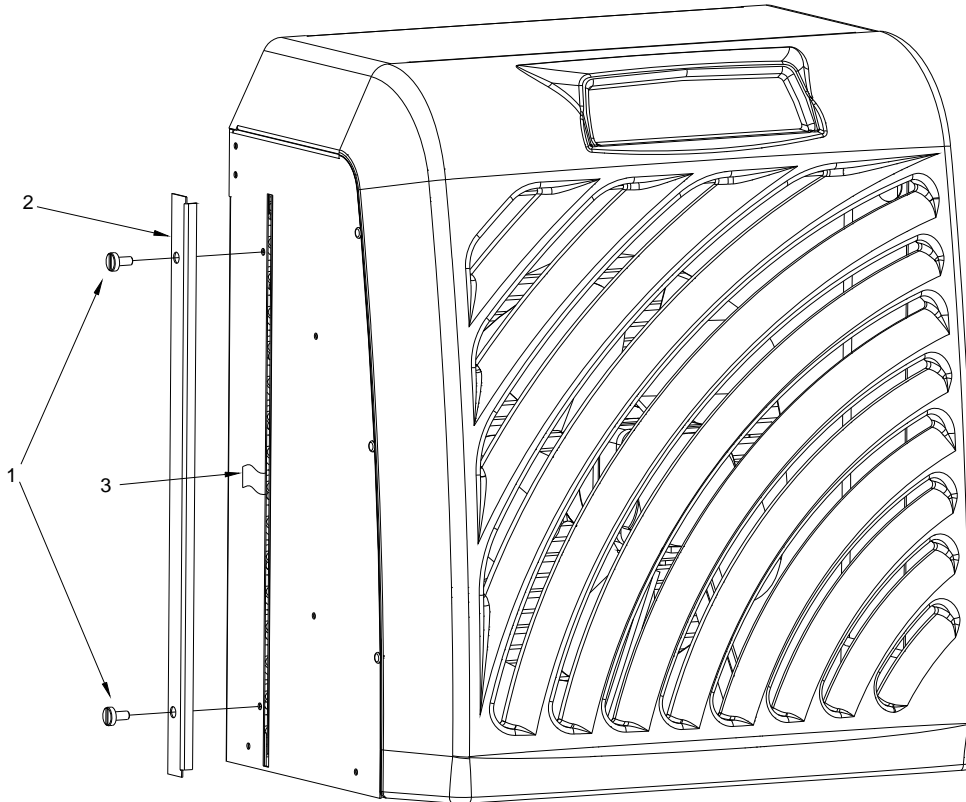
The condensate water produced during this period will be evacuated through the tube.

6 **SERVICING THE WINEMASTER AIR-CONDITIONER**

THE DUST FILTER

It is essential to replace the dust filter in the air-conditioner as soon as necessary and at least once a year. If it is clogged, the air-conditioner could be seriously damaged.

6.1 CHANGING THE FILTER



- Unscrew the two plastic screws **1**
- Remove the cover **2**.
- Pull the tab **3** to release the filter

**Replace it with a WINEMASTER filter only !
You can then replace the cover**

6.2 INFORMATION ABOUT AIRCONDITIONNER FUNCTIONNING

This airconditionner has a pressostat of high pressure security with manual rearmament and a pressostat of low pressure security with automatic rearmament.

The pressostat of high pressure protects the compressor in case of abnormal rise of the pressure which can be due to several causes (obstruction, filter clogged, breakdown of outside fan unit, local where is the outside unit badly ventilated..)

In the case 1 and 2, the simple rearmament of the device (having deleted the cause) is sufficient. In all other cases, the technician intervention is necessary.

The low pressure security protects the compressor in case of some dysfunctions (icing of the evaporator, bad exchange on the evaporator, too low outside temperature in the starting phase), breakdown of the fan on the internal unit, the absence of coolant fluid consecutive to a leak.

However, as it is an automatic rearmament, in case the problem persists it is better to stop the airconditionner until the technician intervention.

7 WARRANTY

7.1 YEARS CONTRACTUAL WARRANTY

The air-conditioner is guaranteed for two years against manufacturing defects.

During the contractual guarantee period, WINEMASTER will replace any part recognized as defective, following the intervention of a qualified representative.

In the event of an electrical breakdown, WINEMASTER will replace any part recognized as defective following the intervention of a qualified stockist or his representative.

In the event of cooling system breakdown, WINEMASTER can ask for the part to be returned for repair following the intervention of a qualified representative. The equipment will be packed and held available for the WINEMASTER carrier to collect it.

Operations and returns must be made with the written agreement of WINEMASTER after sales service.

7.2 TERMS OF APPLICATION OF THE GUARANTEE

The contractual guarantee applies to all devices installed and used in accordance with the « installation and operating guide ». His application is conditioned by the presentation of the invoice of purchase or for lack of its copy.

7.3 EXCLUSIONS AND LIMITS OF GUARANTEE

The guarantee is refused in the following cases :

- The cellar and installation have not been insulated in accordance with this guide.
- The damage is due to negligence, poor maintenance, defective or inappropriate use of the Winemaster
- Part exchanges or replacements under guarantee will not have the effect of extending it.



The European Community attaching a great importance to the environment and the waste processing, set up Directive 2002/96/CE relating to the Electric and Electronic Component Waste.

In accordance with this standard, the presence of the logo "barred dustbin" is obligatory.

This logo means that this product **cannot be to in no case thrown in the household refuse.**

It must be given to a suitable collection point for the treatment, valorization, recycling of Electric and Electronic Components.

Acting like that you make a gesture for the environment and you contribute to the safeguarding of the natural resources as well as to the protection of human health.